

FR 88-R

Photoelectric retro-reflective sensor with relay output



PRODUCT HIGHLIGHTS

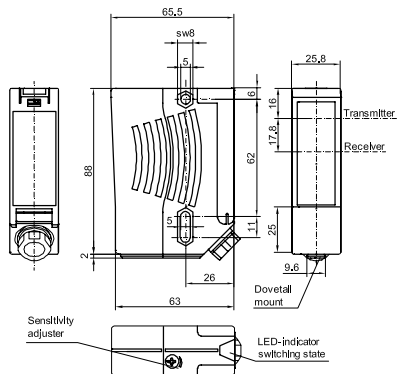
- Relay output
- Simple alignment thanks to easily visible light spot
- Precise sensitivity adjustment by means of potentiometer
- Adjustable time function
- N.O./N.C. switchable

Optical data		Functions	
Operating range	0,05 ... 12 m ¹	Indicator LED, yellow	Switching output indicator
Type of light	LED, red, 660 nm	Sensitivity adjustment	Via potentiometer
Light spot size ²	Ø 200 mm	Adjustment possibilities	Time and output function (N.O./N.C.) via operating elements in clamping space
		Default setting	Max. range
Electrical data		Mechanical data	
Operating voltage, ~U _b	12 ... 240V AC / DC	Dimensions	88 x 65,5 x 25,8 mm
Power consumption	≤ 3,5 VA	Enclosure rating	IP 67 ⁴
Output current, I _e	≤ 2 A (≤ 250V AC / DC)	Material, housing	ABS
Protection Class	2 ³	Material, front screen	PMMA
Power On Delay	≤ 300 ms	Type of connection	See selection table
Switching output, Q	Relay	Ambient temperature: operation	-40 ... +60 °C
Output function	Change-over contact (N.O./N.C.)	Ambient temperature: storage	-40 ... +75 °C
Switching frequency, f (ti/tp 1:1)	≤ 25 Hz	Weight (clamping space device)	120 g
		Vibration and impact resistance	EN 60947-5-2

¹ Reference material: R10 reflector ² At range of 12 m ³ With closed clamping space ⁴ With connected IP 67 plug

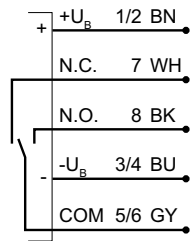
Operating range	Switching output	Type of connection	Part number	Article number
0,05 ... 12 m	Relay	Clamping space, 8 spring clamp terminals, cable gland, M16x1,5	FR 88-R-RAT-PM	823-11009

Plug connection



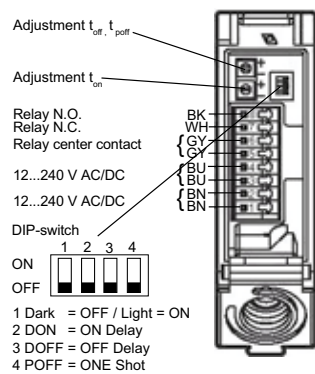
153-00550

Connection, 5-pin



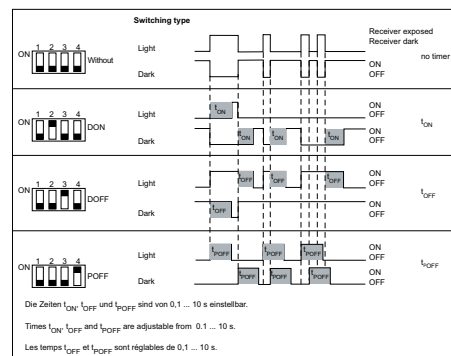
154-00523

Connection, relay



155-00640

Time functions



155-00641

Accessories

Reflectors

From Page A-18

Connection cables

From Page A-38

Brackets

From Page A-4